

SPREADER CONTROL VALVE – Flow Sharing

- Up to 250 bar (3626 psi)
- Inlet flow 110 l/min (30 gpm)
- Threaded connections:
 - ISO 1179 (BSPP/Gas)
 - ISO 11926 (UNF)
- Weight : 23 kg (50.7 lbs)
- Material: Cast iron and Steel
- Surface treatment: Phosphating
- LS Control



Specifications are subject to change without notice.

DESCRIPTION

The spreader control valve manages the regulation of the conveyor floor function and the back hood opening. It can be used with LS pump.

Application:

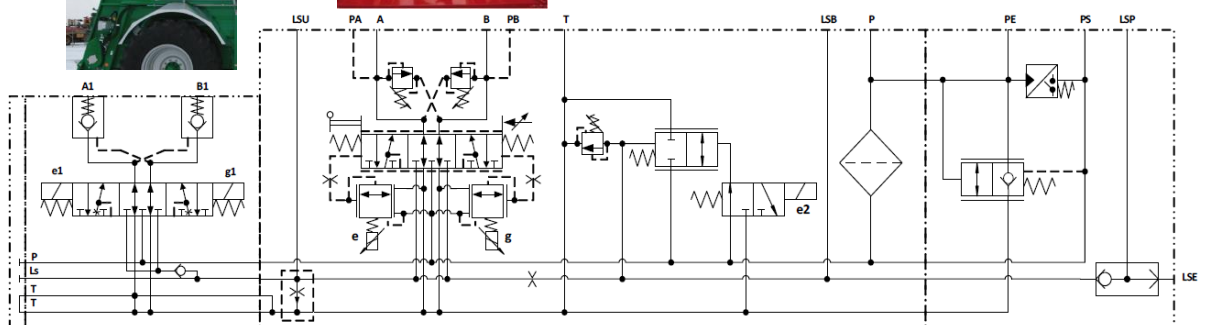


HYDRAULIC SCHEMATIC

Hydraulic back gate

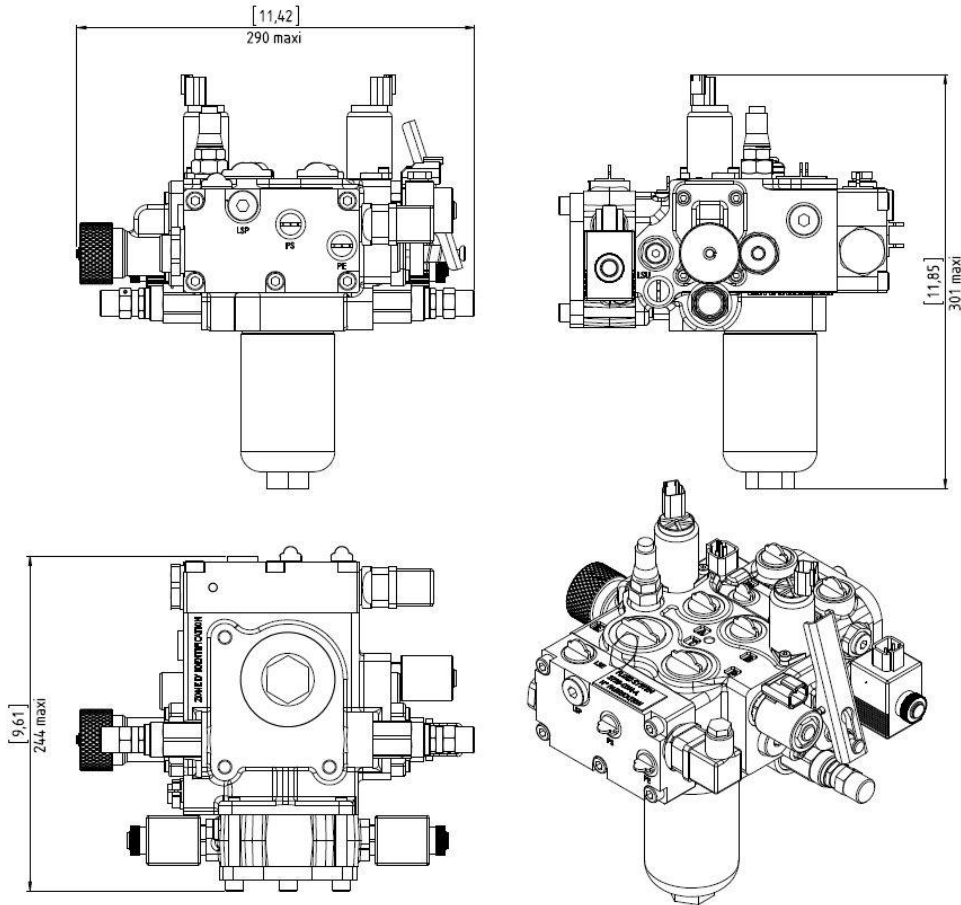


Chain floor



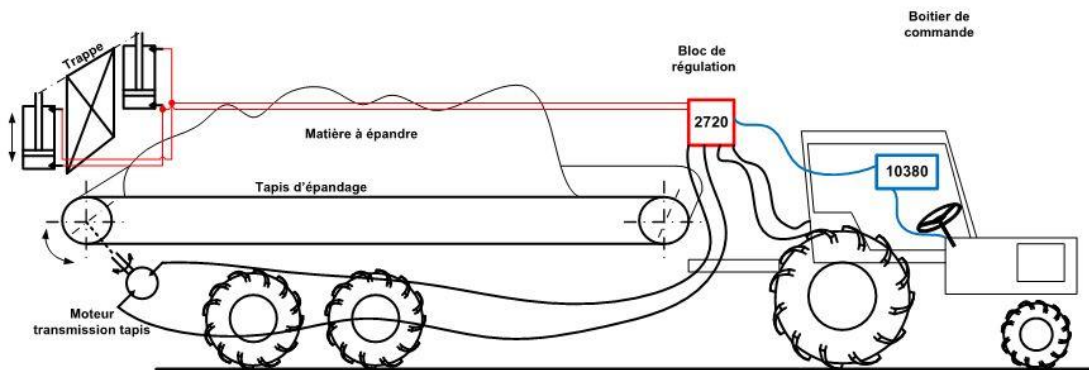
▷ **OVERALL DIMENSIONS**

Millimeter (inches)



▷ **INSTALLATION**

Remorque d'épandage



For more details, please contact us to export@fluid-system.com